

Model 7132AHT Accelerometer



Triaxial IEPE Accelerometer
-55°C to +163°C Range
Hermetically Sealed, Titanium
±50g to ±500g Dynamic Ranges



The **Model 7132AHT** is a high temperature miniature triaxial IEPE accelerometer available in ±50g to ±500g dynamic ranges. The accelerometer features a hermetically sealed titanium construction with a 4-pin Microtech connector interface. The model 7132HT incorporates stable piezo-ceramic crystals in annular shear mode with an operating temperature range of -55°C to +163°C. The accelerometer offers a flat frequency response up to >10kHz.

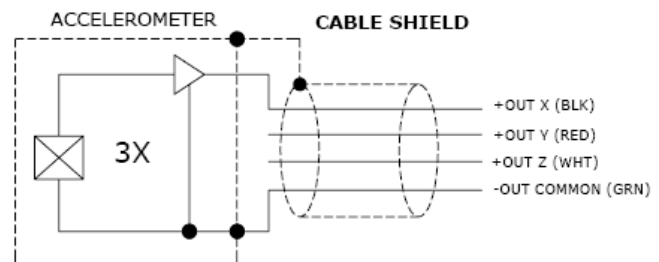
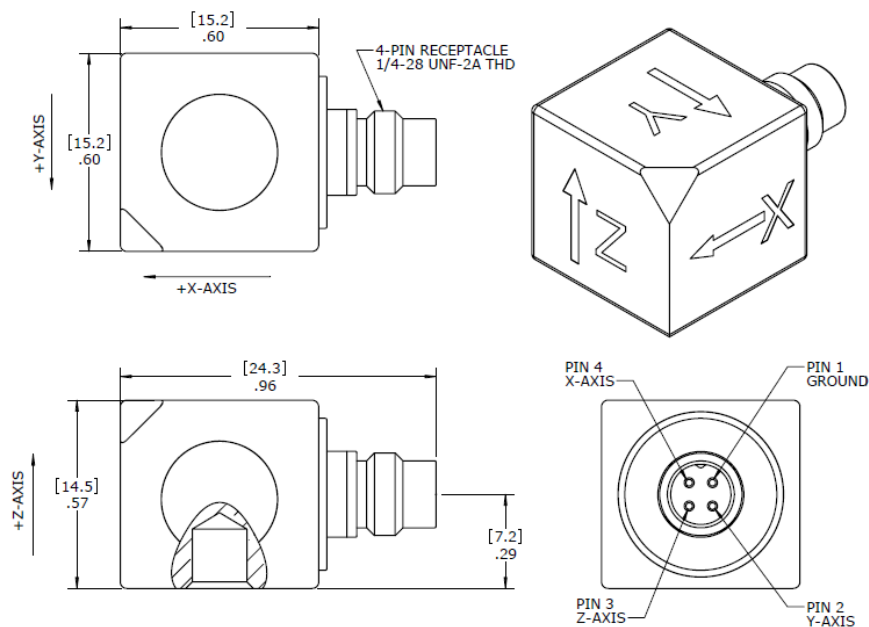
FEATURES

- 4-pin Connector Interface
- Wide bandwidth up to 10kHz
- Adhesive or Stud Mounting
- -55°C to +163°C Operating Range
- Annular Shear Mode Crystals
- Stable Temperature Response

APPLICATIONS

- Vibration & Shock Monitoring
- Laboratory Testing
- High Temperature Testing
- High Frequency Applications
- General Purpose Usage
- Automotive Testing

dimensions



Model 7132AHT Accelerometer

performance specifications

All values are typical at +24°C, 80Hz and 4mA excitation unless otherwise stated. Measurement Specialties reserves the right to update and change these specifications without notice. Standard product parameters are described in PSC-1003 for Plug & Play AC Accelerometers.

Parameters					Notes
DYNAMIC					
Range (g)	±50	±100	±500	±2000	
Sensitivity (mV/g)	100	50	10	2.5	±10%
Frequency Response (Hz)	1.5-6000	1.5-6000	1.5-7000	1.5-8000	±10%
Frequency Response (Hz)	0.8-8000	0.8-8000	0.8-9000	0.8-10000	±2dB
Natural Frequency (Hz)	37000	37000	37000	37000	
Non-Linearity (%FSO)	±1	±1	±1	±1	
Transverse Sensitivity (%)	<5	<5	<5	<5	
Shock Limit (g)	5000	5000	5000	5000	
ELECTRICAL					
Compliance Voltage (Vdc)	22 to 30	22 to 30	22 to 30	22 to 30	
Excitation Current (mA)	2 to 10	2 to 10	2 to 10	2 to 10	
Bias Voltage (Vdc)	9 to 13	9 to 13	9 to 13	9 to 13	Room Temperature
Bias Voltage (Vdc)	6 to 15	6 to 15	6 to 15	6 to 15	-55 to +163°C
Output Impedance (Ω)	<100	<100	<100	<100	
Full Scale Output Voltage (V)	±5	±5	±5	±5	
Residual Noise (g RMS)	0.001	0.0012	0.002	0.005	Broadband 1Hz to 10kHz
Warm-up Time (sec)	<1.5				To Within 10% of Bias
Ground Isolation ¹	Case Grounded				
ENVIRONMENTAL					
Temperature Response (%)	See Typical Temperature Response Curve				
Operating Temperature (°C)	-55 to +163				
Storage Temperature (°C)	-55 to +163				
Humidity	Hermetically Sealed				
PHYSICAL					
Sensing Element	Ceramic (shear mode)				
Case Material	Titanium				
Electrical Connector	4-Pin Receptacle				
Weight (grams)	15 (17 for -03 Case Isolation option)				
Mounting	Adhesive or Stud Mount Option				

¹ For Isolated Case Order the -03 Option.

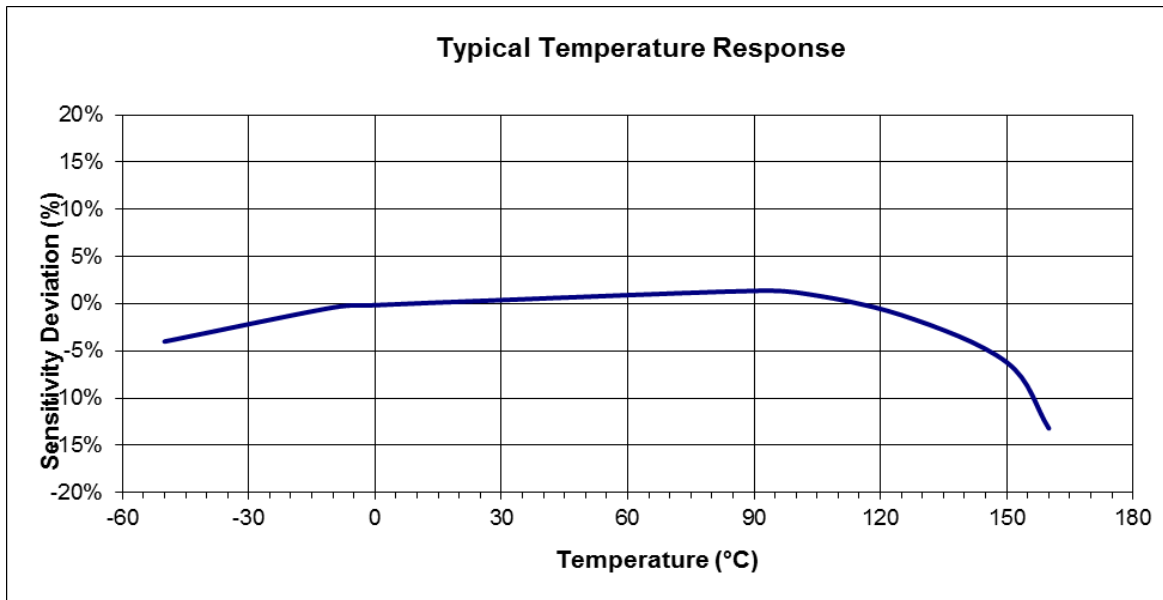
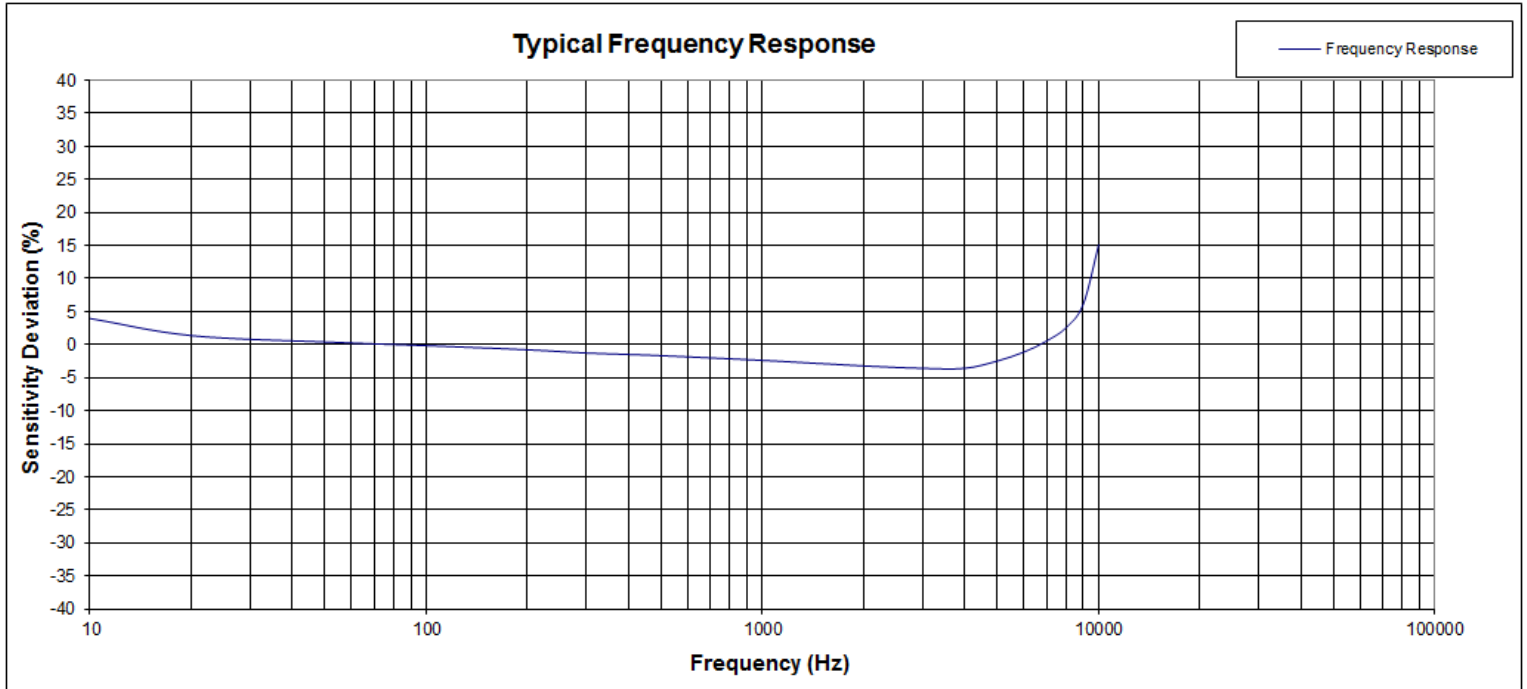
Calibration supplied: CS-FREQ-0100 NIST Traceable Amplitude Calibration from 20Hz to ±2dB Frequency Response Limit

Optional accessories: 315HT-XXX Cable Assembly, 4-pin ¼-28 to 3x BNC (XXX designates length in inches, 10ft standard)
161A 4-Channel PE & IEPE Signal Conditioner
AC-A03530 Magnetic Mounting Adaptor (for -02 thread option)

The information in this sheet has been carefully reviewed and is believed to be accurate; however, no responsibility is assumed for inaccuracies. Furthermore, this information does not convey to the purchaser of such devices any license under the patent rights to the manufacturer. Measurement Specialties, Inc. reserves the right to make changes without further notice to any product herein. Measurement Specialties, Inc. makes no warranty, representation or guarantee regarding the suitability of its product for any particular purpose, nor does Measurement Specialties, Inc. assume any liability arising out of the application or use of any product or circuit and specifically disclaims any and all liability, including without limitation consequential or incidental damages. Typical parameters can and do vary in different applications. All operating parameters must be validated for each customer application by customer's technical experts. Measurement Specialties, Inc. does not convey any license under its patent rights nor the rights of others.

Model 7132AHT Accelerometer

performance specifications



ordering info

PART NUMBERING Model Number+Range

7132AHT-GGGG-XX

I I Optional Thread Dash Number
I Range (0050 is 50g)

Dash Number

-01
-02
-03

Thread Options

M5 x 0.8 6g
#10-32 UNF-2B
Case Isolated

Example: 7132AHT-0050

Model 7132AHT, 50g, No Option